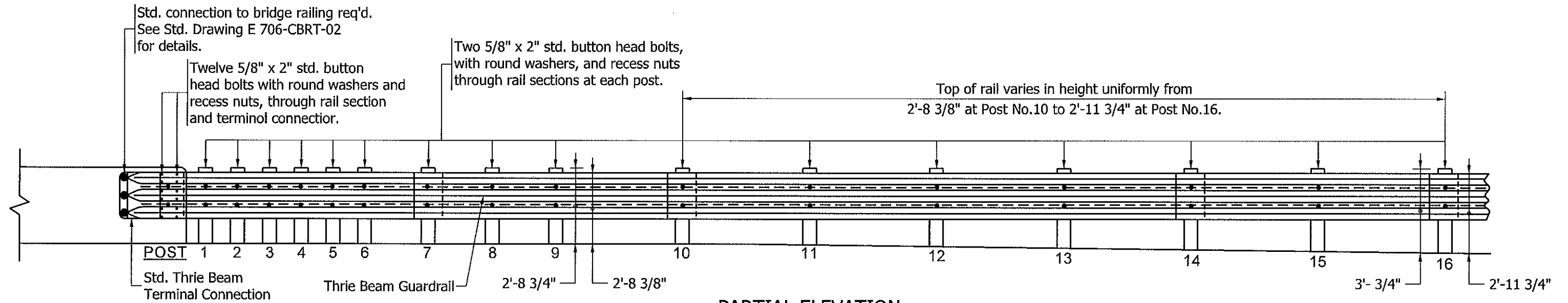


**PARTIAL PLAN**



**PARTIAL ELEVATION**

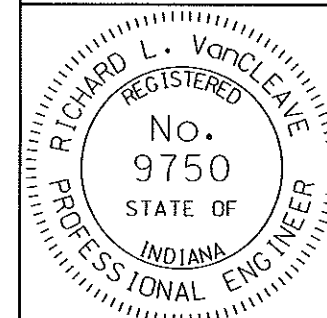
**NOTES:**

1. See Standard Drawings E 601-TTGB-01 and E 601-TTGB-03 for Thrie Beam Guardrail post and blockout details from bridge rail to Post No. 10.
2. See Standard Drawing E 601-TTGB-03 for Thrie Beam Guardrail post and blockout details with the exception of height above shoulder surface for Posts No. 11 through 16.

INDIANA DEPARTMENT OF TRANSPORTATION

THRIE BEAM GUARDRAIL  
TO THRIE BEAM GUARDRAIL  
TRANSITION, TTT  
SEPTEMBER 2011

STANDARD DRAWING NO. E 601-TMTT-01



DESIGN STANDARDS ENGINEER

*Richard L. VanCleave* 9/1/11  
DESIGN STANDARDS ENGINEER DATE

*M. J. [Signature]* 9/1/11  
CHIEF HIGHWAY ENGINEER DATE